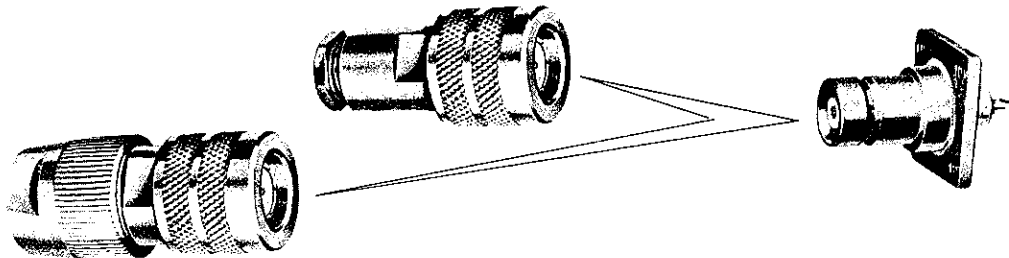


miniQUICK Series

* Regd. trademark

MATING CHARACTERISTICS

These connectors have been designed with a special instantaneous automatic latching system which has been patented.

- Automatic latching with low force push-fit
- De-mating (and un-latching) by a simple pulling movement of connector coupling bush. A pair of connectors will not de-mate by applying force to the cable or any connector part other than the coupling bush.
- Breaking strain for mated connectors | Automatic latch will withstand > 100 kg
Recommended operational strain < 50 kg
- Latching system has high resistance to repeated shock treatment (Tests show latching will withstand a 500 g. weight dropped from height of 20 cm onto the connector coupling bush).
- Life : guaranteed 50 000 mate de-mate operations.

Advantages :

- **IMPORTANT TIME-SAVING** as the mating and de-mating of a connector pair requires no rotational movement of connector coupling bush.
- **IMPORTANT SPACE-SAVING** - connectors may be placed in closer proximity as only the thumb and forefinger are needed for de-mating.

GENERAL CHARACTERISTICS

- Interchangeable with MiniQUICK « rack and panel » types
- Instantaneous automatic latching
- Environmental models fitted with gasket
- Shouldered centre-contacts on plugs and jacks - the inner-conductor of the cable is not subjected to any force during de-mating.
- Materials :

female centre-contact and flexible parts	:beryllium bronze
other metal parts	:brass
insulators	:teflon
gaskets	:neoprene or silicone
plating :	
- bodies	:nickel-chrome
- centre-contacts	:silver
- Operating temperature range : - 40 + 100° C



miniQUICK Series

ELECTRICAL CHARACTERISTICS

- Characteristic impedance : 50 Ω (some models are adapted to accept 75 Ω or 100 Ω cables).
- Operating frequency range : 4 000 MHz
- V.S.W.R. : < 1.1 to 1 000 MHz
< 1.3 to 3 500 MHz
- Test voltages : 1 500 V.r.m.s. - 50 Hz
- Insulation resistance between centre-contact and case : > 10⁵ M Ω
- Contact resistance after 10 000 operations : \leq 5 m Ω

TWO ALTERNATIVE CONNECTOR CABLE CLAMPS

1) - PLAIN-GASKET CLAMP (BNC types)

- Environmental
- Accepts cables with wide tolerances on diametric dimensions:
- Can also be used for coaxial cables with double - braid.

2) - SPECIAL RAPID-CLAMP

- speed and simplicity in assembly
- Increased cable retention force
70 kg for cables \varnothing 10 to 11 mm
30 kg for cables \varnothing 5 to 6 mm
- Can only be used with the specific cables specified.

COAXIAL CABLES suitable for use with the mQ Series

Certain cable groups shown below (eg groups 10/50, 10/75, 11/75) do not contain all of the cables listed in the same groups on the general data sheet page B2 entitled « COAXIAL CABLES ».

ADDITIONAL PIECE-PARTS REQUIRED for CABLE 2.6/75 Ω (to be ordered in addition to the connector).

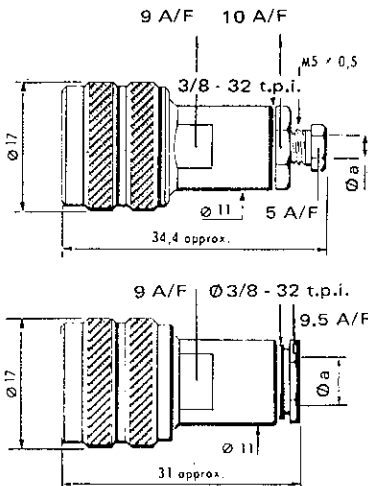


CODE R. 280 603

Use in place of clamp - ferrule provided with connector.

★ Detailed assembly instructions are shown on pages E7- 12-13

GROUP 2/50	GROUP 2,6/50	GROUP 2,6/50	GROUP 5/50	GROUP 6/75
RG. 178 B/U RG. 196 A/U KX. 21 A	RG. 174/U RG. 188 A/U RG. 316/U KX. 3 A KX. 22 A	RG. 179 B/U RG. 187 A/U	RG. 58 C/U RG. 141 A/U RG. 142 B/U RG. 223/U KX. 15 KX. 23	RG. 59 B/U RG. 140/U KX. 6 A KX. 25 KX. 52 KX. 53
GROUP 6/93	GROUP 10/50 mQ	GROUP 10/75 mQ	GROUP 11/50	GROUP 11/75 mQ
RG. 62 A/U RG. 71 B/U KX. 30 125 PMSA	RG. 213/U KX. 4	RG. 11 A/U KX. 8	RG. 214/U KX. 13	75 MD 100 MD



STRAIGHT PLUGS

CODE R. 225 003

CODE R. 225 004

STRAIGHT PLUGS

CODE R. 225 007

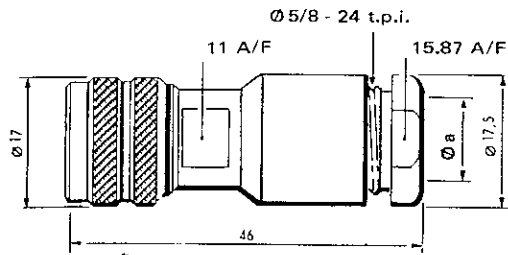
CODE R. 225 011

CODE R. 225 013

OTHER PART NUMBER	CABLE GROUP	MAX. EXT. CABLE \varnothing a	ASSEMBLY CODE ★	WEIGHT g.
R. 15 650	2/50	2.2	F	23
R. 15 660	2.6/50	3	F	23
R. 15 050	5/50	5.4	A	23
R. 15 020	6/75	6.5	A	23
R. 15 170	6/93	6.5	A	23

miniQUICK Series

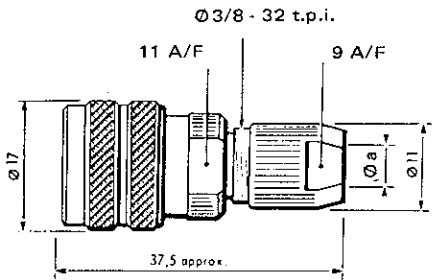
★ Detailed assembly instructions are shown on pages E7-12-13



STRAIGHT SOLDER PLUG

CODE R. 225 021

CODE R. 225 096

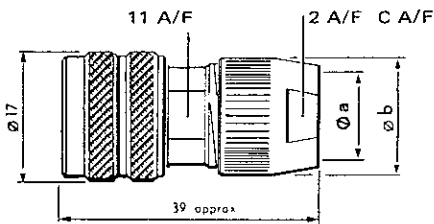


STRAIGHT SOLDER PLUG

with special cable clamp

CODE R. 225 008

CODE R. 225 012



STRAIGHT SOLDER PLUG

with special cable clamp

CODE R. 225 018 $\begin{matrix} \text{Ø}b = 16 \\ c = 13 \end{matrix}$

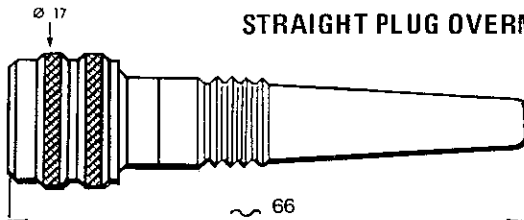
CODE R. 225 020 $\begin{matrix} \text{Ø}b = 16 \\ c = 13 \end{matrix}$

CODE R. 225 095 $\begin{matrix} \text{Ø}b = 17 \\ c = 14 \end{matrix}$

OTHER PART NUMBER	CABLE GROUP	MAX. EXT CABLE Ø a	ASSEMBLY CODE ★	WEIGHT g.
R. 15 610	10/50 mQ RG. 165/U 11/50 mQ RG. 225/U KX. 24	11.1	G	42
	11/75 mQ	11.5	G	42

R. 15 300	RG. 58 C/U KX. 15	5.6	B	30
R. 15 270	RG. 59 B/U KX. 6 A KX. 52 KX. 53	6.4	B	30

R. 15 230	10/50 mQ	11.2	C	32
R. 15 200	10/75 mQ	11.2	C	32
R. 15 460	11/75 mQ	11.7	C	32



STRAIGHT PLUG OVERMOULDED ONTO COAXIAL CABLE

CODE R. 225 060

Other part N° : R. 15 770

cable 50 Ω

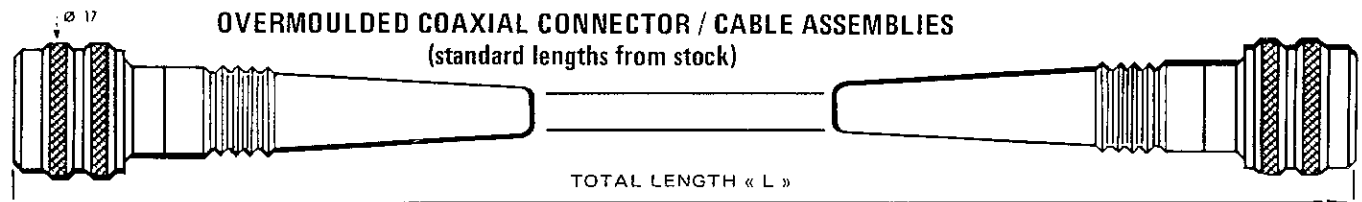
KX. 15 or RG. 58 C/U

CODE R. 225 062

Other Part N° : R. 15 780

cable 75 Ω

KX. 6A or RG. 59 B/U



OVERMOULDED COAXIAL CONNECTOR / CABLE ASSEMBLIES (standard lengths from stock)

CODE FOR STANDARD ASSEMBLY	CONNECTOR CODE	CABLE	TOTAL LENGTH « L »
R. 285 624	R. 225 060	KX. 15	50 centimetres
R. 285 625	R. 225 060	50 Ω KX. 15	100 centimetres
R. 282 626	R. 225 060	KX. 15	150 centimetres
R. 285 634	R. 225 062	KX. 6 A Black	50 centimetres
R. 285 635	R. 225 062	75 Ω KX. 6 A Black	100 centimetres
R. 285 636	R. 225 062	KX. 6 A Black	150 centimetres

OVERMOULDED COAXIAL CONNECTOR/CABLE assemblies similar to the above but of different length may be ordered by quoting the following :

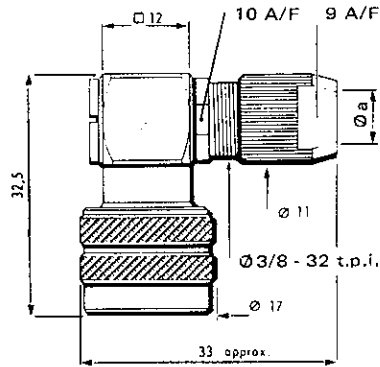
R. 225 060/ KX. 15 / R. 225 060 / Length . . . cm

R. 225 062/ KX. 6 A Black / R. 225 062 / Length . . . cm



miniQUICK Series

★ Detailed assembly instructions are shown on pages E7-12-13



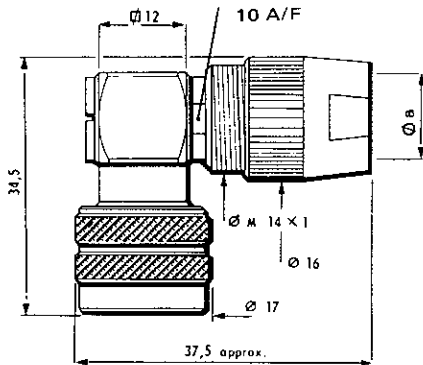
ELBOW SOLDER PLUG

with special cable clamp

CODE R. 225 158

CODE R. 225 162

OTHER PART NUMBER	CABLE GROUP	ASSEMBLY CODE ★	MAX. EXT. CABLE Ø _a	WEIGHT g.
R. 15 070	KX. 15 RG. 58 C/U	D	5.6	40
R. 15 080	RG. 59 B/U KX. 6 A KX. 52 KX. 52	D	6.4	40

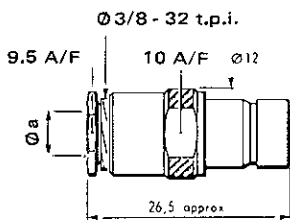


ELBOW SOLDER PLUG

with special cable clamp

CODE R. 225 168

R. 15 370	10/50 mQ 10/75 mQ	E	11.2	45
-----------	----------------------	---	------	----

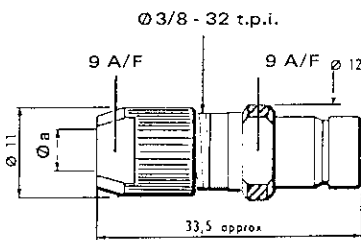


STRAIGHT SOLDER JACKS

with special cable clamp

CODE R. 225 207

R. 15 030	5/50	A	5.4	10
-----------	------	---	-----	----



STRAIGHT SOLDER JACKS

with special cable clamp

CODE R. 225 208

CODE R. 225 212

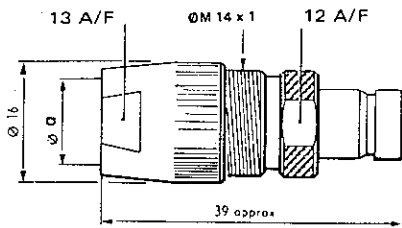
R. 15 310	RG. 58 C/U KX. 15	B	5.6	14
R. 15 290	RG. 59 B/U KX. 6 A KX. 52 KX. 53	B	6.4	14

miniQUICK Series

★ Detailed assembly instructions are shown on pages E7-12-13

▲ Panel Piercing dimensions are shown on page B1-1

■ Dimensions of plate are shown on page E7-9

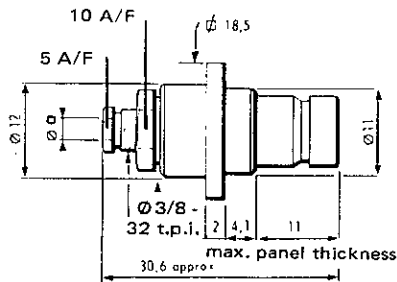


STRAIGHT SOLDER JACKS

CODE R. 225 218

CODE R. 225 220

OTHER PART NUMBER	CABLE GROUP	MAX. EXT. CABLE Ø a	ASSEMBLY CODE★	PANEL PIERCING CODE ▲	WEIGHT g.
R. 15 240	10/50 mQ	11.2	C		23
R. 15 210	10/75 mQ	11.2	C		23



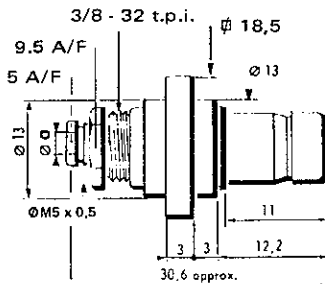
CHASSIS JACK ■

CODE R. 225 253

CODE R. 225 254

Flange dimensions : A

R. 15 570	2/50	2.2	F	a30	16
R. 15 560	2.6/50	3	F	a1	16

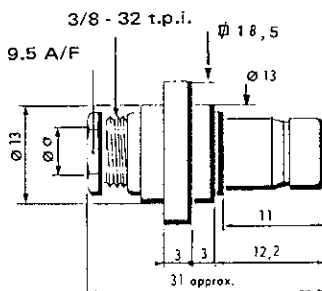


INSULATED FLANGE CHASSIS JACK ■

CODE R. 225 255

Flange dimensions : A
Non stock item available on special order only

	2.6/50	3	F	a40	13
--	--------	---	---	-----	----



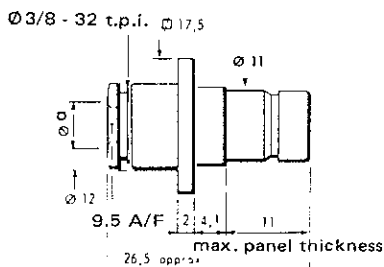
INSULATED FLANGE CHASSIS JACK ■

CODE R. 225 256

CODE R. 225 264

Flange dimensions : A

R. 15 320	5/50	5.4	A	a40	13
R. 15 330	6/75	6.5	A		



CHASSIS JACK

CODE R. 225 257

CODE R. 225 261

Flange dimensions : A

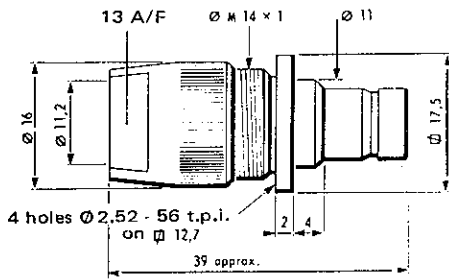
R. 15 050	5/50	5.4	A	a30	11
R. 15 060	6/75	6.5	A	a1	11

miniQUICK Series

★ Detailed assembly instructions are shown on page E7-12-13

▲ Panel Piercing dimensions are shown on page B1-1

■ Dimensions of plate are shown on page E7-9



STRAIGHT CRIMP JACKS ■

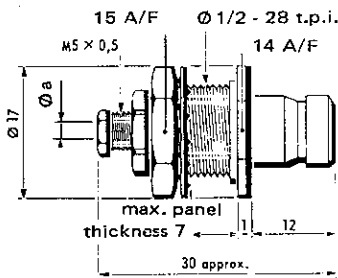
with special cable clamp

CODE R. 225 268

CODE R. 225 270

Flange dimensions : A

OTHER PART NUMBER	CABLE GROUP	MAX. EXT. CABLE Ø _a	ASSEMBLY CODE ★	PANEL PIERCING CODE ▲	WEIGHT g.
R. 15 250	10/50 mQ	11.2	C	a1	24
R. 15 220	10/75 mQ	11.2	C	a1	24

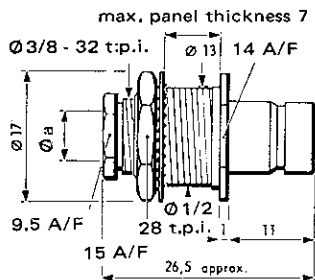


BULKHEAD JACK

CODE R. 225 303

CODE R. 225 304

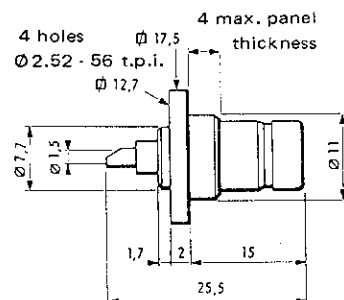
R. 15 700	2/50	2.2	F	hole	42
R. 15 710	2.6/50	3	F	Ø 13.1	42



BULKHEAD JACK

CODE R. 225 307

R. 15 530	5/50	5.4	A	hole	15
-----------	------	-----	---	------	----



CHASSIS RECEPTACLE ■

CODE R. 225 404

4 tapped holes M 2.5 x 0.45

CODE R. 225 406

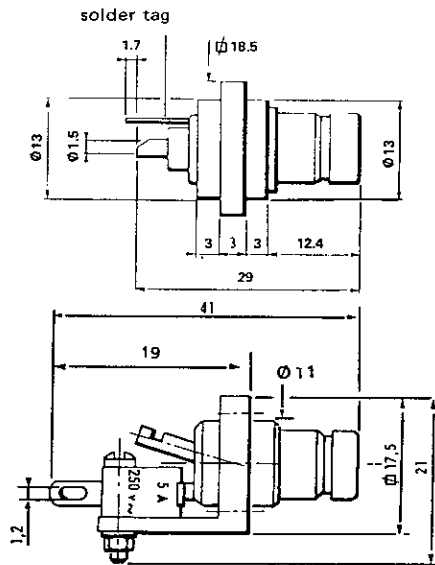
4 clearance Ø 2.6

R. 15 000				a6 or a1	10
R. 15 760				a6 or a1	10

miniQUICK Series

▲ Panel Piercing dimensions are shown on page B1-1

■ Dimensions of plate are shown on page E7-9



INSULATED FLANGE CHASSIS RECEPTACLE ■

CODE R. 225 410

Flange dimensions : A

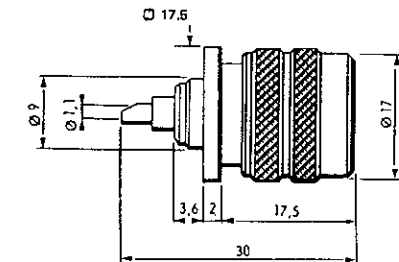
OTHER PART NUMBER	PANEL PIERCING CODE ▲	WEIGHT g.
R. 15 380	a40	10

RECEPTACLE WITH AUXILIARY MICROSWITCH ■

CODE R. 225 439

Flange dimensions : A

R. 15 920	a1	25
-----------	----	----

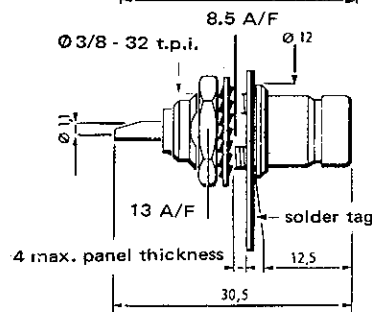


MALE CHASSIS RECEPTACLE ■

CODE R. 225 440

Flange dimensions : A

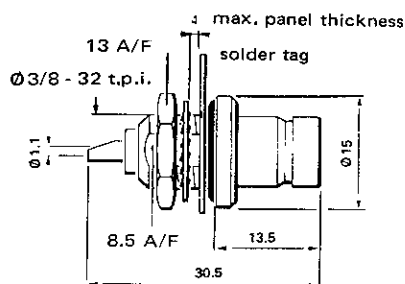
R. 15 180	a3	25
-----------	----	----



BULKHEAD RECEPTACLE

CODE R. 225 552

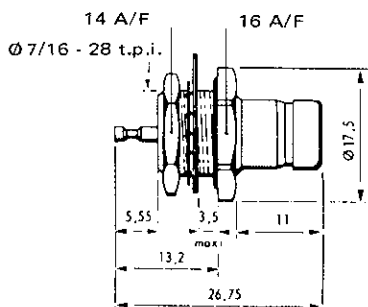
R. 15 140	h1	10
-----------	----	----



BULKHEAD RECEPTACLE SPLASH PROOF

CODE R. 225 603

R. 15 150	h1	11
-----------	----	----



HERMETIC BULKHEAD RECEPTACLE

Glass metal seal

CODE R. 225 625

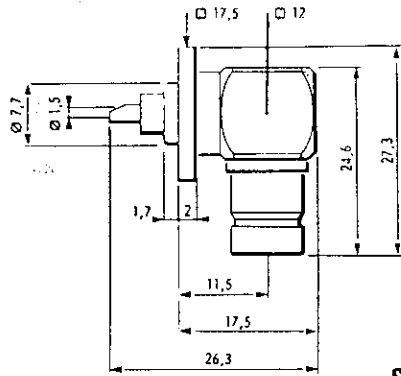
Hermetic
- pressure $> 20 \text{ kg/cm}^2$
- vacuum $< 10^{-6} \text{ mm Hg}$

R. 15 600	hole $\text{Ø} 11.1$	10
-----------	----------------------	----



miniQUICK Series

- ▲ Panel Piercing dimensions are shown on page B1-1
- Dimensions of plate are shown on page E7- 9

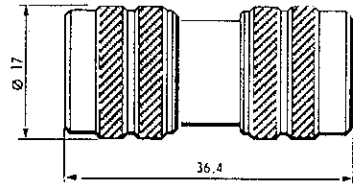


ELBOW FLANGE RECEPTACLE ■

CODE R. 225 654

Flange dimensions : A

OTHER PART NUMBER	PANEL PIERCING CODE ▲	WEIGHT g.
R. 15 160	a6	21

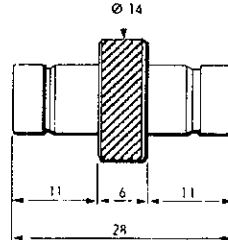


STRAIGHT ADAPTOR M - M

CODE R. 225 703

Other Part N° : R. 15 110

Weight : 40 g.

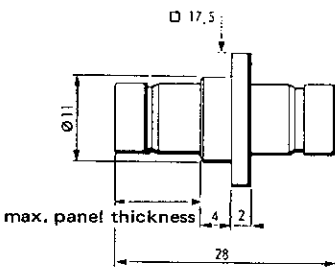


STRAIGHT ADAPTOR F - F

CODE R. 225 704

Other Part N° : R. 15 120

Weight : 12 g.



CHASSIS ADAPTOR F - F

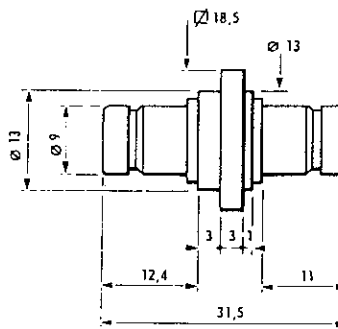
CODE R. 225 710

Other Part N° : R. 15 260

Flange dimensions : A

Panel Piercing ▲
code a1

Weight : 12 g.



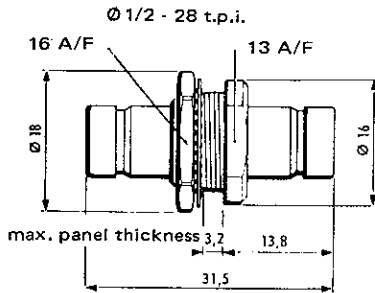
INSULATED FLANGE CHASSIS ADAPTOR F - F ■

CODE R. 225 718

Other Part N° : R. 15 960

Flange dimensions : B

Panel Piercing ▲
code a40



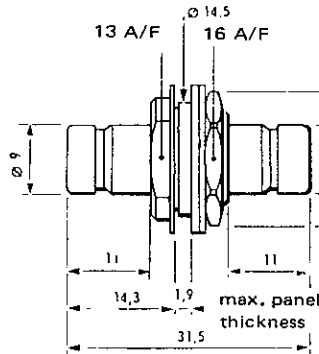
STRAIGHT BULKHEAD ADAPTOR F - F

CODE R. 225 720

Other Part N° : R. 15 490

Panel Piercing :
hole Ø 12.7

Weight : 17 g.

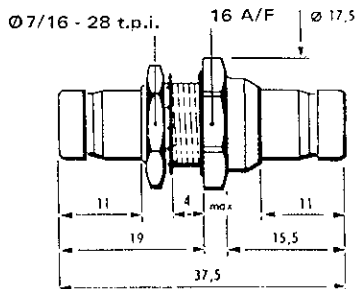


INSULATED FLANGE STRAIGHT BULKHEAD ADAPTOR F - F

CODE R. 225 721

Other Part N° : R. 15 990

Weight : 17 g.



HERMETIC BULKHEAD ADAPTOR F - F

(glass metal seal)

CODE R. 225 753

Other Part N° : R. 15 690

Panel Piercing
hole Ø 11.1

Weight : 16 g.

Hermetic - pressure > 20 kg/cm²
- vacuum < 10⁻⁶ mm Hg

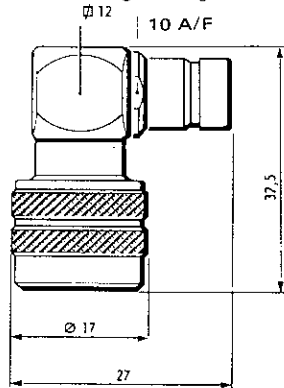
miniQUICK Series

ELBOW ADAPTOR M - F .

CODE R. 225 770

Other part N° : R. 15 090

Weight : 34 g.



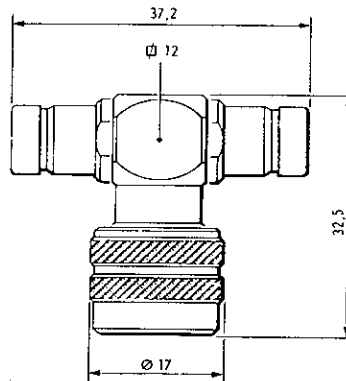
T - ADAPTOR F - F

M

CODE R. 225 780

Other part N° : R. 15 100

Weight : 36 g.



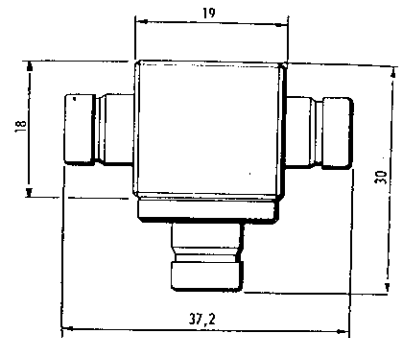
T - ADAPTOR F - F

F

CODE R. 225 782

Other part N° : R. 15 500

Weight : 50 g.



caps

CAP AND CHAIN

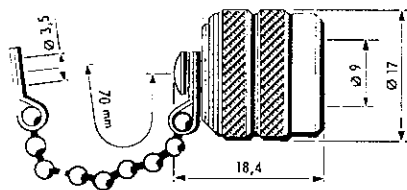
for mQ plug

Waterproof type

CODE R. 225 812

Other part N° : R. 15 580

Weight : 17 g.



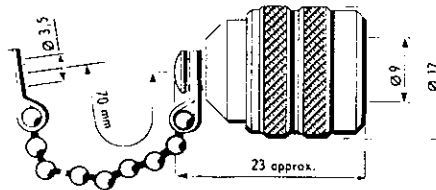
SHORT - CIRCUIT

CAP AND CHAIN

for mQ plug

CODE R. 225 862

Other part N° : R. 15 860



NEOPRENE FLANGE

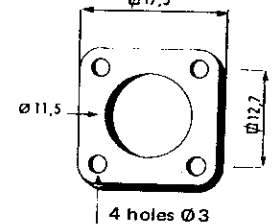
GASKET

CODE R. 280 503

Other part N° : R. 9 366

Neopren

Ø 17,5



accessories

COAXIAL CABLING ACCESSORIES

Shielded boxes *see page E16*

COAXIAL DEVICES FITTED

Coaxial terminations *see page H1*

Coaxial attenuators *see page H3*

COAXIAL SWITCHING DEVICES

Relays *see page J1*

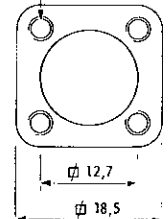
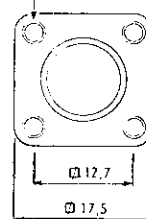
Toggle switches *see page J3*

Rotary switches *see page J9*

FLANGE DIMENSIONS

4 holes M 2,5 x 0,45

4 holes Ø M 2,6



INTER - SERIES ADAPTORS

1ST ADAPTOR INTER-FACE	2ND ADAPTOR INTER-FACE	CODE	1ST ADAPTOR INTER-FACE	2ND ADAPTOR INTER-FACE	CODE
mQ male	SUBCLIC male	R. 191 225	mQ female	SUBCLIC male	R. 191 228
—	BNC fem.	R. 191 413	—	BNC male	R. 191 411
—	N fem.	R. 191 603	—	BNC fem.	R. 191 416
—	UHF fem.	R. 191 630	—	N male	R. 191 606
			—	N fem.	R. 191 609
			—	UHF male	R. 191 632

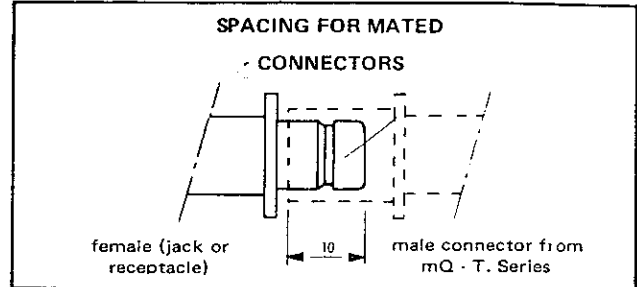


miniQUICK "RACK and PANEL" Series

mQ - T-

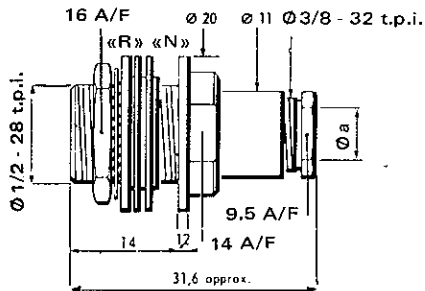
Designed specifically for rack and panel applications is a series of male connectors identical to the standard mQ Series, but not having the automatic latching system. They will mate with any of the standard mQ Series jacks and receptacles and are fitted with a « flared » mating face for rack applications. This flare will allow successful mating when two connectors are offset by as much as ± 0.7 mm maximum before mating. All other characteristics are identical to those of the standard mQ Series (page E7- 1).

- Note 1 - Panel Piercing : \varnothing 14.7 to 16.0 depending on the offset of the panels.
- Note 2 - For panels of thickness 1 - 2 and 3 mm, use 2 - 1 or no nylon washers « N » respectively.
- Note 3 - For panel piercing \varnothing 12.7 do not use either washer « N » or « R ».



Non stock items on special order only excepted R. 227 007

- ★ Detailed assembly instructions are shown on pages E7- 12-13
- ▲ Panel Piercing dimensions are shown on page B1- 1
- Dimensions of plate are shown on page E7- 9

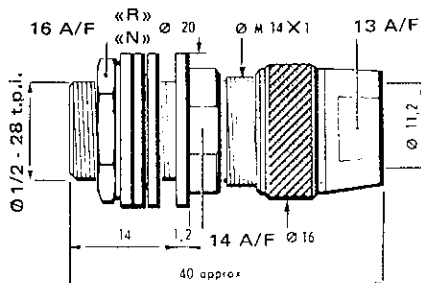


BULKHEAD PLUGS

CODE R. 227 007

CODE R. 227 011

OTHER PART NUMBER	CABLE GROUP	MAX. EXT. CABLE \varnothing 8	ASSEMBLY CODE ★	PANEL PIERCING CODE ▲	WEIGHT g.
R. 15 510	5/50	5.4	A	1 - 2	32
R. 15 550	6/75	6.5	A	Rigid 3	32



BULKHEAD PLUG with special cable clamp

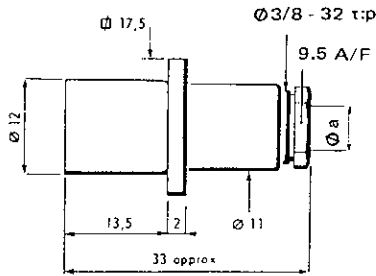
CODE R. 227 020

R. 15 400	10/75	11.2	C	1 - 2 Rigid 3	35
-----------	-------	------	---	---------------------	----

miniQUICK (RACK and PANEL) Series

- 1 - Panel Piercing : \varnothing 14.7 to 16.0 depending on the offset of the panels.
- 2 - For panels of thickness 1, 2 and 3 mm, use 2 - 1 or no nylon washers « N » respectively.
- 3 - For panel piercing \varnothing 12.7 do not use either washer « N » or « R ».

- ★ Detailed assembly instructions are shown on page E7- 12-13
- ▲ Panel Piercing dimensions are shown on page B1- 1
- Dimensions of plate are shown on page E7- 9

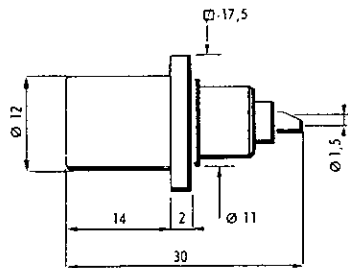


STRAIGHT SOLDER CHASSIS PLUG ■

CODE R. 227 107

CODE R. 227 111

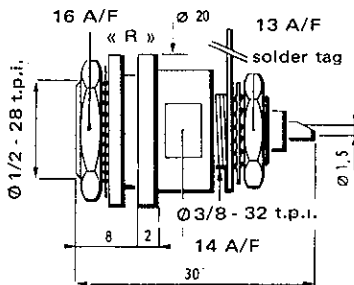
Flange Dimensions : A



CHASSIS PLUG ■

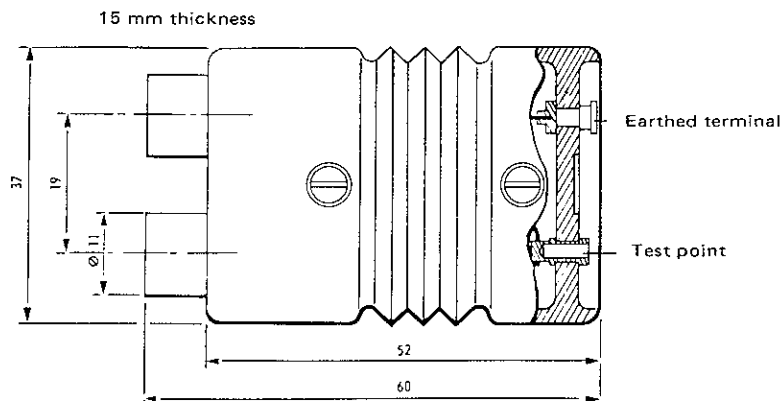
CODE R. 227 440

Flange Dimensions : A



STRAIGHT BULKHEAD RECEPTACLE FACE NUT MOUNTING

CODE R. 227 552



MALE - MALE U LINK

CODE R. 227 792

Other Part N° R. 16 200

OTHER PART NUMBER	CABLE GROUP	MAX. EXT. CABLE \varnothing a	ASSEMBLY CODE ★	PANEL PIERCING CODE ▲	WEIGHT g.
R. 15 430	5/50	5.4	A	a1 or a30	18
R. 15 440	6/75	6.5	A	a1 or a30	18

R. 15 450				a1 or a30	15
-----------	--	--	--	-----------	----

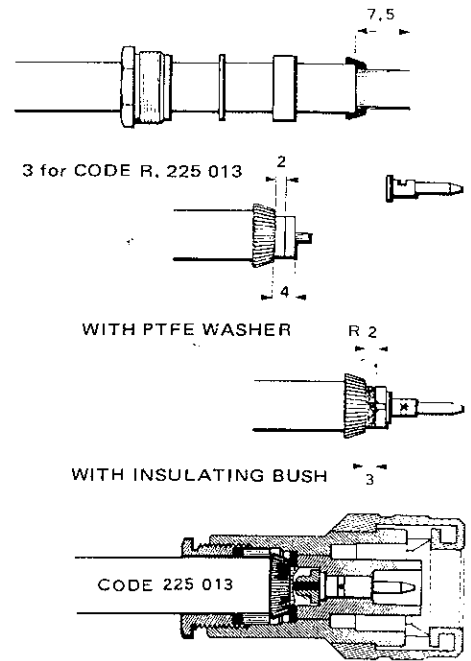
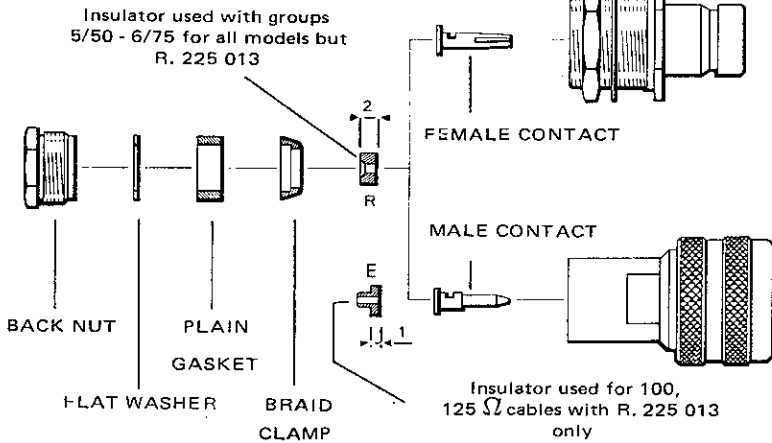
R. 15 470					30
-----------	--	--	--	--	----



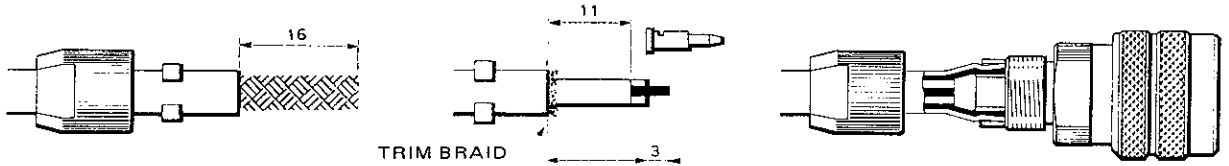
miniQUICK Series

assembly details

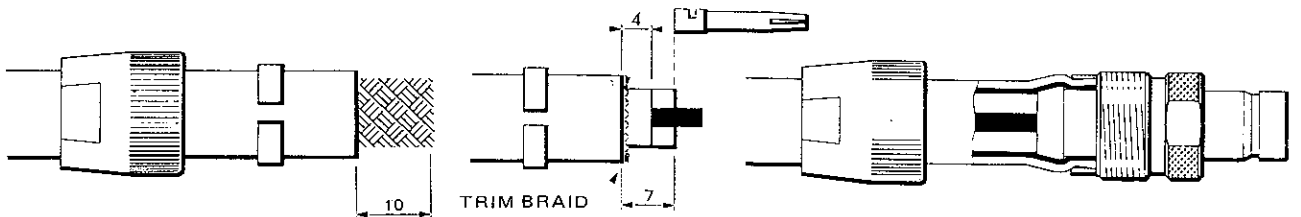
A CONNECTORS WITH PLAIN-GASKET CLAMP



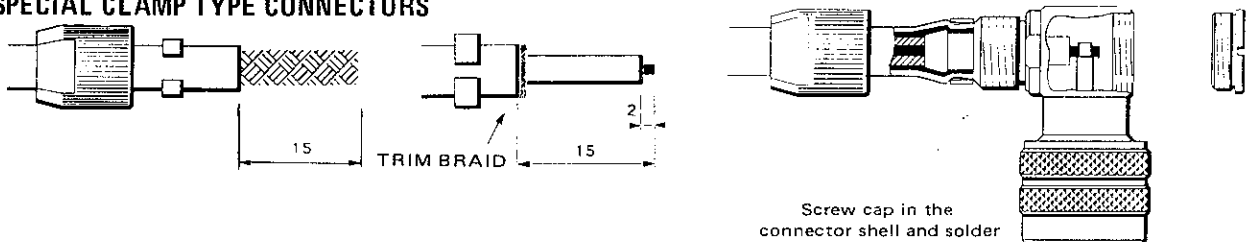
B SPECIAL CLAMP TYPE CONNECTORS



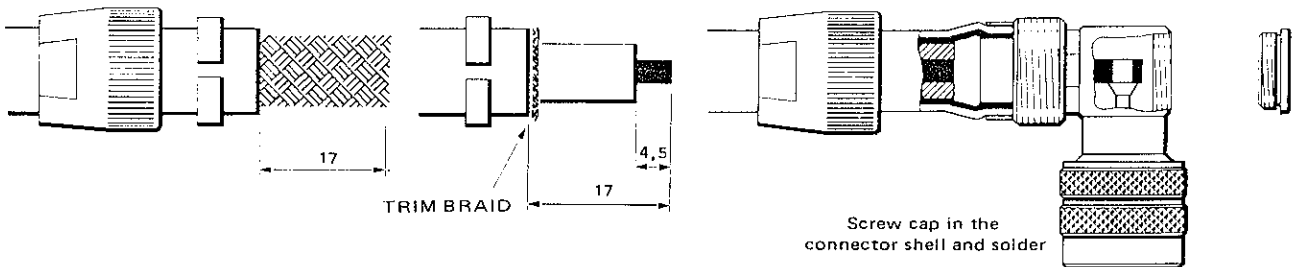
C SPECIAL CLAMP TYPE CONNECTORS



D SPECIAL CLAMP TYPE CONNECTORS



E SPECIAL CLAMP TYPE CONNECTORS

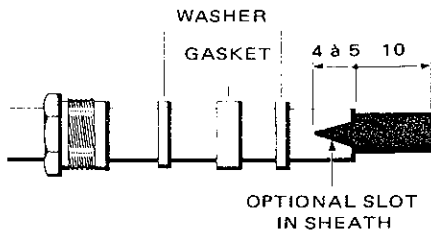


miniQUICK Series

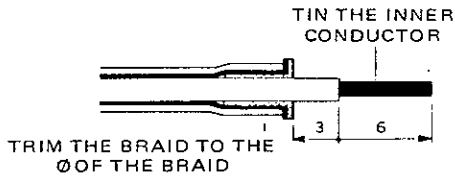
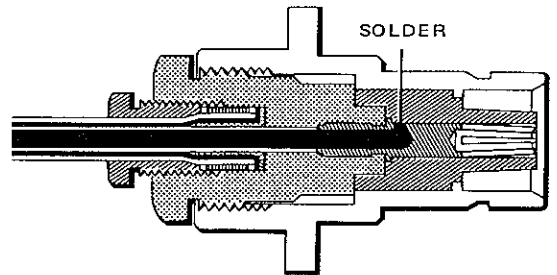
assembly details

CONNECTORS WITH PLAIN - GASKET CLAMP

F

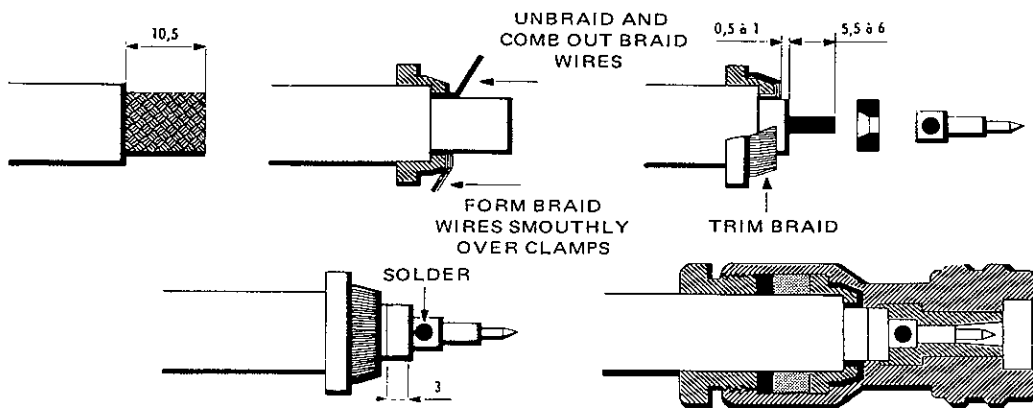


- In the event of difficulty in introducing the braid-clamp under the braid, a slit of length 4 to 5 mm should be made in the outer sheath.



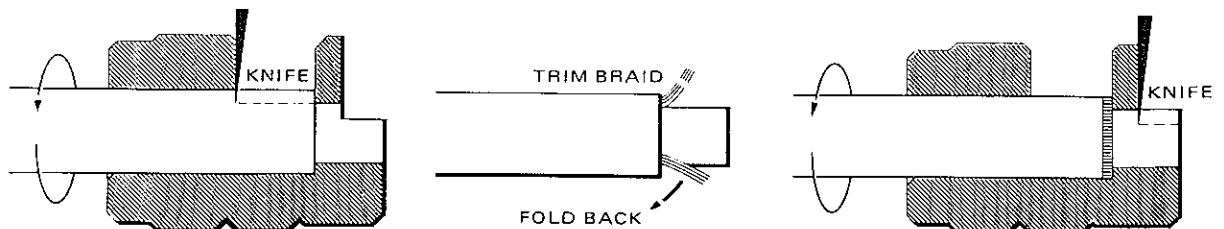
CONNECTOR WITH PLAIN - GASKET CLAMP

G



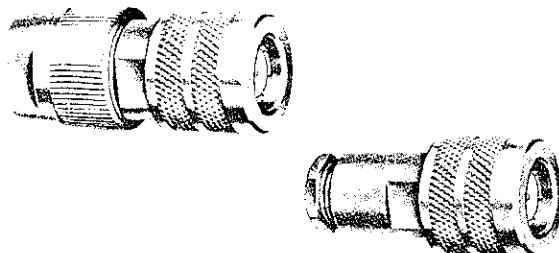
OPTIONAL TOOLING FOR CABLE STRIPPING

OTHER PART N°	CODE	ASSEMBLY CODE	CABLE GROUP
R. 15 190	R. 282 036	C	10/50 mQ - 10/75 mQ - 11/75 mQ
R. 15 590	R. 282 016	B	5/50
R. 15 480	R. 282 021	B	6/75



série miniQUICK_75 Ω

★ MARQUE DÉPOSÉE



CARACTERISTIQUES GENERALES

Ces connecteurs s'accouplent avec tous les modèles des séries « mQ et mQ de tiroir » classique et en possèdent toutes les caractéristiques, sauf :

- Protection : NSR ⊕

CARACTERISTIQUES PARTICULIERES

- Verrouillage identique à la série mQ

CARACTERISTIQUES ELECTRIQUES

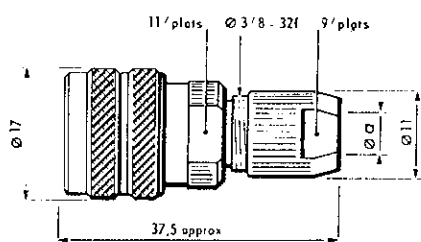
- Impédance caractéristique : 75 Ω

Lorsqu'ils sont accouplés entre eux, ils peuvent être utilisés jusqu'à 1 000 MHz et présenter une très faible discontinuité d'impédance.

- T.O.S. de tous ces connecteurs : < 1,05 de 0 à 400 MHz
< 1,10 de 400 à 860 MHz
< 1,13 de 860 à 1000 MHz
- T.O.S. de R. 226 020 : < 1,08 de 0 à 400 MHz
< 1,20 de 400 à 860 MHz
< 1,26 de 860 à 1000 MHz

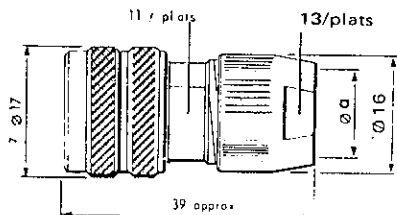
▲ CABLES COAXIAUX utilisés avec les mQ - 75 Ω (voir page E7- 2)

★ Montage sur câble : voir pages E7- 12 et E7- 13



FICHE DROITE A SERRE CABLE SPECIAL

CODE R. 226 012



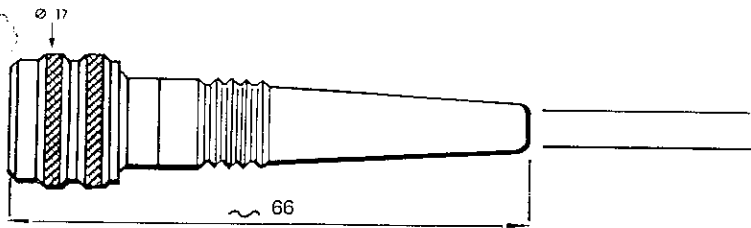
FICHE DROITE A SERRE CABLE SPECIAL

CODE R. 226 020

▲ GROUPE CABLES	Ø EXT. CABLE MAXI a	MONTAGE SUR CABLE ★	POIDS g.
RG. 59 B/U KX. 6 A KX. 52 KX. 53	6,4	B	30
10/75 mQ	11,2	C	32

série miniQUICK_75 Ω

FICHES DROITES SURMOULEES

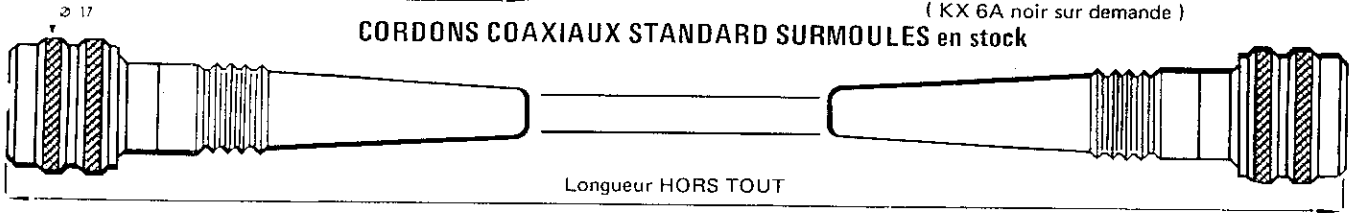


CODE R. 226 062

câble 75 Ω

KX. 6 A vert ou RG. 59 B/U âme divisée
(KX 6A noir sur demande)

CORDONS COAXIAUX STANDARD SURMOULES en stock

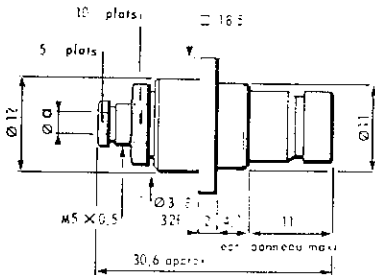


CODE du CORDON STANDARD	2 FICHES DROITES	CABLE	LONGUEUR HORS TOUT
R. 285 634	R. 226 062	75 Ω KX. 6A vert	50 centimètres
R. 285 635	R. 226 062	KX. 6A vert	100 centimètres
R. 285 636	R. 226 062	KX. 6A vert	150 centimètres

CORDONS COAXIAUX SURMOULES sur longueur spéciale à la commande

Rédaction des commandes

Fiche droite : R. 226 062 / câble KX. 6 A vert / Fiche droite : R. 226 062 / Longueur hors tout . . . cm

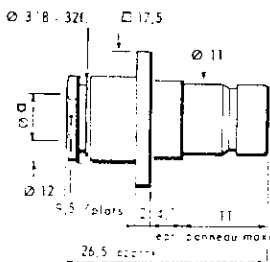


**PRISE DROITE
A PLATINE
A PRESSE ETOUPE**

CODE R. 226 254

Type de platine : A (page E7- 9)

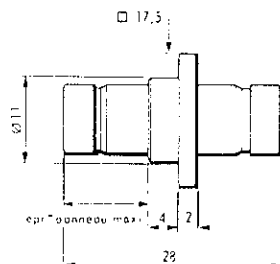
Perçage panneau : a30 ou a1



**PRISE DROITE
A PLATINE
A PRESSE ETOUPE**

CODE R. 226 261

Perçage panneau : a1
(page B1- 1)



**RACCORD DROIT F - F
A PLATINE**

CODE R. 226 710

Type de platine : A (page E7- 9)

Perçage panneau
a1 (page B1-1)

Poids : 12 g.

GROUPES CABLES	Ø EXT. CABLE MAXI a	MONTAGE SUR CABLE ★	POIDS g.
2,6/75	3	F	16

6/75	6,5	A	11
------	-----	---	----

(Série en développement. Autres modèles sur demande).

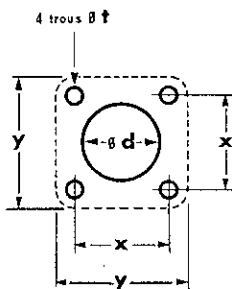


POUR CONNECTEURS COAXIAUX

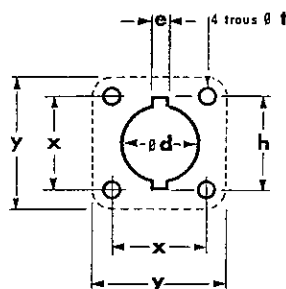
Repère	$\emptyset d$	$\emptyset t$	x	y
a 1	11,2	2,6	12,7	17,5
a 2	12,9	2,6	12,7	17,5
a 3	9,2	2,6	12,7	17,5
a 4	9,2	3,2	12,7	17,5
a 5	9,2	2,6	12,7	17,5
a 6	8,2	2,6	12,7	17,5
a 7	8,2	2,6	12,7	17,5
a 8	11,2	2,6	12,7	17,5
a 9	9,7	2,6	12,7	17,5
a 10	8,2	2,6	12,7	17,5
a 11	8,2	3,2	13,5	19
a 12	32,2	6,3	36,5	50,8
a 13	32,2	6,3	36,5	50,8
a 14	41,5	6,3	36,5	50,8
a 15	24,2	6,3	36,5	50,8
a 16	30,5	6,3	36,5	50,8
a 17	17,8	3,2	18,25	25,4
a 18	21,3	3,2	18,25	25,4
a 19	16,2	3,2	18,25	25,4
a 20	15	3,2	18,25	25,4
a 21	16,2	3,2	18,25	25,4
a 22	22,5	3,2	23	30
a 23	16	3,2	23	30
a 24	34	6,3	36,5	50,8
a 25	27,5	6,3	36,5	50,8
a 26	19,5	3,2	18,25	25,4
a 27	19,3	3,2	23	30
a 28	20,3	3,2	23	30

Repère	$\emptyset d$	$\emptyset t$	x	y	z	e	h
a 29	17,8	3,2	18,25	25,4			
a 30	12,2	2,6	12,7	17,5			
a 31	11,2	3,2	18,25	25,4			
a 32	32,2	6,3	36,5	50,8			
a 33	16	6,3	36,5	50,8			
a 34	19,3	3,2	23	30			
a 35	15,4	3,2	18,25	25,4			
a 36	13	3,2	18,25	25,4			
a 37	1,3	1,3	5,08	6,5			
a 38	23,4	3,2	25	32			
a 39	27,4	3,2	25	32			
a 40	13,2	2,6	12,7	17,5			
a 41	9,2	2,6	12,7	17,5			
a 42	5,6	2,6	12,7	17,5			
a 43	4,9	2,2	7	11			
b 1	9,8	2,6	12,7	17,5		2,3	11,2
b 2	9,8	3,2	12,7	17,5		2,3	11,2
b 3	9,8	2,6	12,7	17,5		2,3	11,2
b 4	9,8	3,2	18,25	25,4		2,3	11,2
c 1	9	3,2	18	22,8	12,7		
c 2	16	3,2	25,8	33,2	18		
c 3	9	4,2	30	38	14		
c 4	4,3	2,2	11,2	15,9	8,3		
c 5	4,3	1,8	11,2	15,9	8,3		
d 1	9,8	3,2	18	22,8	12,7	2,3	11,2

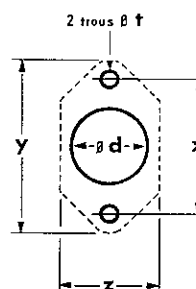
Sur chaque figure est représenté : en trait gras, le perçage du panneau,
en trait pointillé, le contour de la platine du connecteur.



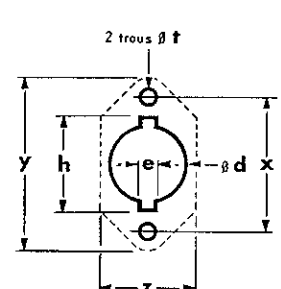
a



b

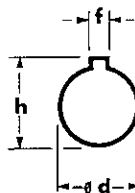
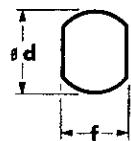
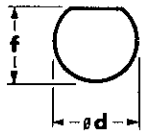
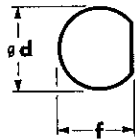
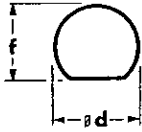


c



d

B
1



Repère	$\varnothing d$	f	h
e 1	10,3	9,1	
e 2	19	18,1	
e 3	15,8	15	
e 4	11	10,1	
e 5	12,7	12	
e 6	9,5	9	
e 7	9,5	8,8	
e 8	6	5,6	
e 9	4,9	4,5	
e 10	8	7,2	
e 11	24	22,5	
e 12	20	19	
e 13	7,95	7,5	
e 14	6,35	5,97	
e 15	11,1	10,3	
e 16			
e 17			
e 18			
e 19			
e 20			
e 21			

h 1	9,5	8,6	
h 2	15,8	13,6	
h 3	15,8	13,6	
h 4	19	17,2	
h 5	12,7	11,2	

k 1	18	2,2	19
k 2	12,2	2,2	15,7
k 3	9,5	2,2	11,3
k 4	4,9	1	5,8
k 5	8	2,2	9,3
k 6	14	2,2	16,7

INTERNATIONAL SALES NETWORK

Asia

**RADIALL ASIA C/O BISHA
Company Ltd**
8/F Tung Cheong Commercial Building
221 Nathan Road
KOWLOON (Hong-Kong)
☎ 852 3 723 77 16
☎ 852 3 721 97 12
☎ 57072 BISHAHX

France

101, Rue Philibert Hoffmann
Zone Industrielle Ouest
93116 ROSNY-sous-BOIS Cedex
☎ 48 54 80 40
☎ 48 54 63 63
☎ RADIA A 220673 F

Germany

RADIALL G.m.b.H.
Otto-Hahn-Straße 1
Postfach 102206 - 6072 DREIEICH
Regional offices :
Hamburg - Stuttgart - Munich
☎ 06 103 3727
☎ 06 103 31125
☎ 417955 RADIAD

Holland

RADIALL Nederland B.V.
Postbus 64
3870 CB HOEVELAKEN
☎ 3 49 53 40 09
☎ 3 49 53 45 12
☎ 79158 RADIANL

Italy

RADIALL Elettronica S.R.L.
Via Enrico Fermi 8
20090 ASSAGO MILANO
Regional offices : Roma
☎ 24 88 25 94
☎ 24 88 02 75
☎ 350037 EURELI

Sweden

RADIALL A.B.
Sjöängsvägen 2
19172 SOLLENTUNA
☎ 8 754 73 15
☎ 8 754 49 16
☎ 15323 RADIALLS

U.K.

RADIALL Microwave Components Ltd
Invincible Road
FARNBOROUGH (Hants)
☎ 252 517 441
☎ 252 543 183
☎ 858309 RADIALG

U.S.A.

RADIALL INC.
150 Long Beach Boulevard
STRATFORD connecticut 06497
☎ (203) 386 1030
☎ (203) 375 3808
☎ 311796 RADIALLUSA

REPRESENTED IN

Argentina - Australia - Austria - Belgium - Brazil - Bulgaria - Canada - Chili - China -
Denmark - Egypt - Finland - Greece - Hungary - India - Ireland - Israel - Japan -
New Zealand - Norway - Poland - Portugal - Rumania - Singapore - Spain -
South Africa - South Korea - Switzerland - Taiwan - Turkey - Yugoslavia - USSR

INTERNATIONAL DIVISION

101, Rue Philibert Hoffmann - Zone Industrielle Ouest
93116 ROSNY-sous-BOIS Cedex (FRANCE)
☎ 48 54 80 40
☎ 48 54 63 63
☎ RADIA A 220673 F



® REGISTERED TRADE MARK

*This information is intended as a guide only.
To ensure a continuing policy of product improvement, Radiall reserves the right
to modify its specifications without prior notification.*